

SESAR SERIES

WOF flat-pack furniture is in your hand!
It's self-assembled product, read the
instruction carefully. Identify the
different parts of the components then
check the hardware fitting.

Recommended for indoor use. Or always keep the
product dry and clean after outdoor use

SESAR STOOL



COMPONENT



SPECIFICATION

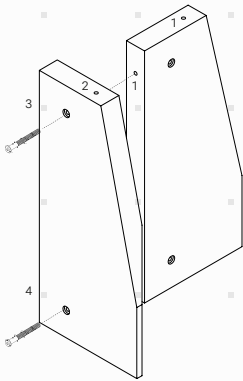
Dimension : $\varnothing 34 \times H45$ cm

Material : Sungkai

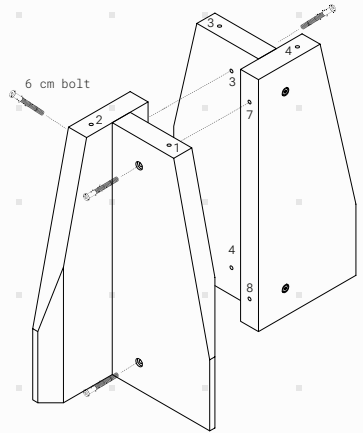
Finishing : _____

ASSEMBLY

1.



2.



3.

